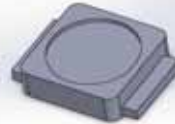




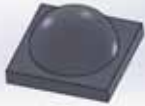
ITEM NO.: INO-T002P-H1
 Lens Material.: PMMA
 Holder Material .: PC
 Tolerance.: +/-0.05mm
 Operating Temperature range.: -40 deg/+90 deg



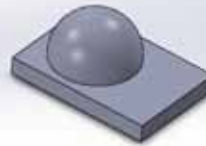
Type : Seoul P4
 Angle at 50 % : 23°
 Measurement at 1 meter



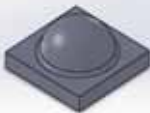
Type : Nichia NS6W183A
 Angle to 50 % : 21°
 Measurement at 1 meter



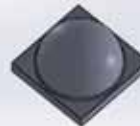
Type : Seoul Z5
 Angle to 50 % : 22°
 Measurement at 1 meter



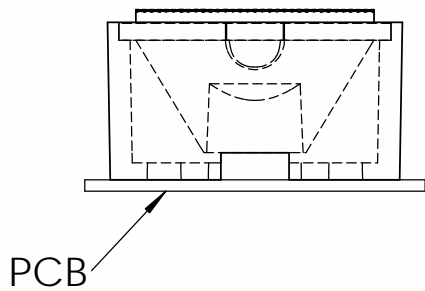
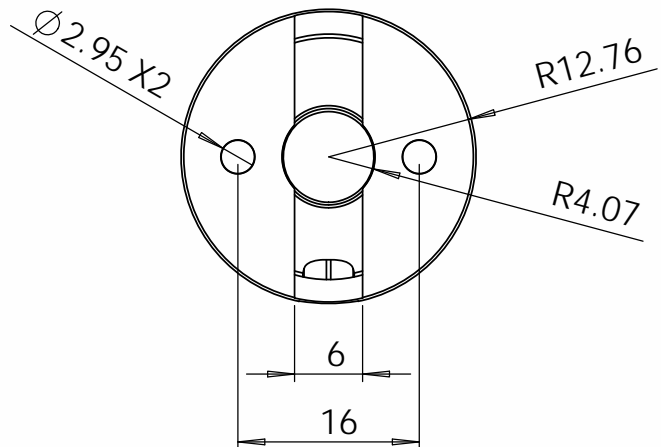
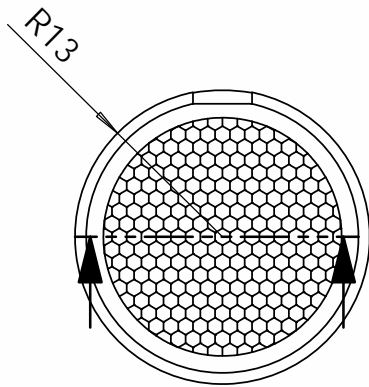
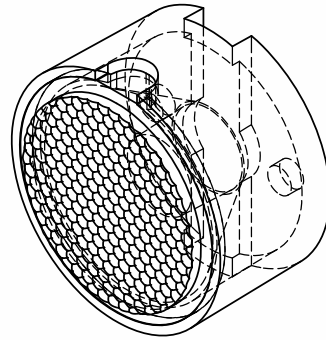
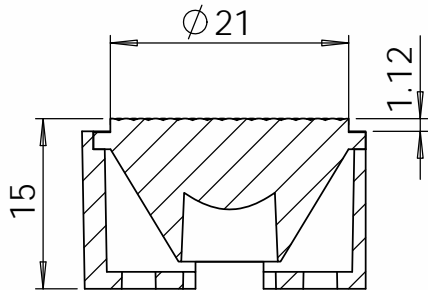
Type : Luxeon LXML-PWN1
 Angle to 50 % : 21°
 Measurement at 1 meter



Type : Cree XPG
 Angle to 50 % : 21°
 Measurement at 1 meter



Type : Cree XM-L2
 Angle at 50 % : 23°
 Measurement at 1 meter



DO NOT SCALE DRAWING	DATE: 2014-01
INNO ELECTRONICS LTD	
TITLE:	
DWG NO.	INO-T002P-H1
SCALE: 1.5:1	PAGE: 2
	A4