



ITEM NO.: INO-T002P-HX  
 Lens Material.: PMMA  
 Holder Material.: PC  
 Tolerance.: +/-0.05mm  
 Operating Temperature range.: -40 deg/+90 deg



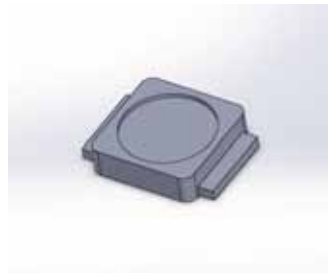
Type : Seoul P4  
 Angle at 50 % : 22°  
 Measurement at 1 meter



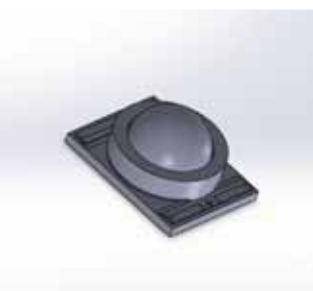
Type : Osram Luw\_W5AM  
 Angle at 50 % : 23°  
 Measurement at 1 meter



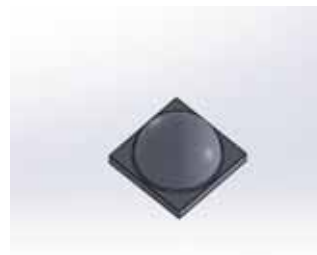
Type : Seoul Z5  
 Angle to 50 % : 22°  
 Measurement at 1 meter



Type : Nichia NS6W183A  
 Angle to 50 % : 22°  
 Measurement at 1 meter



Type : Cree XRE  
 Angle to 50 % : 22°  
 Measurement at 1 meter



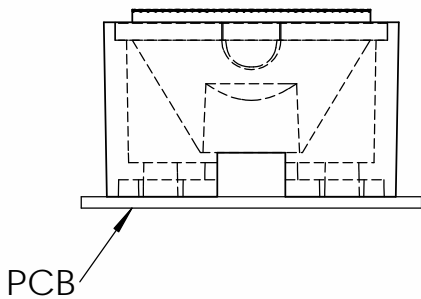
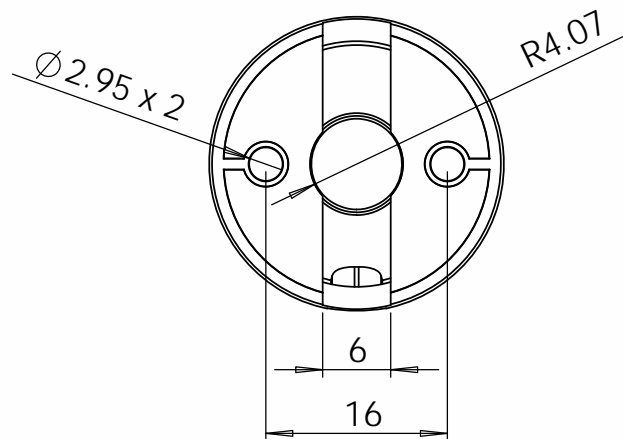
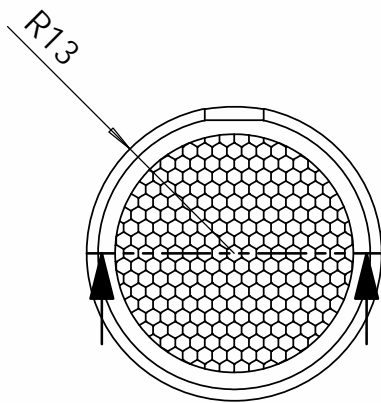
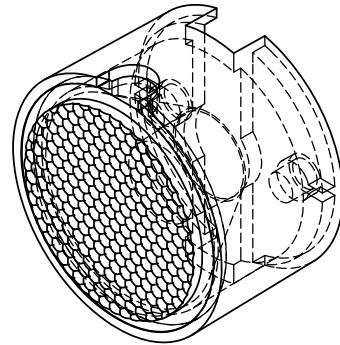
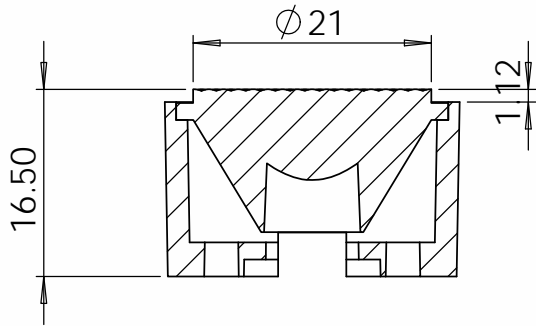
Type : Cree XM-L2  
 Angle at 50 % : 20°  
 Measurement at 1 meter



Type : Cree XPG  
 Angle to 50 % : 22°  
 Measurement at 1 meter



Type : Luxeon LXML-PWN1  
 Angle to 50 % : 21°  
 Measurement at 1 meter



DO NOT SCALE DRAWING	DATE: 2014-01
INNO ELECTRONICS LTD	
TITLE:	
DWG NO.	INO-T002P-HX
SCALE: 1.5:1	PAGE: 2
	A4