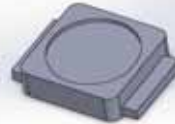




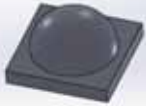
ITEM NO.: INO-T002T-H1
Lens Material.: PMMA
Holder Material .: PC
Tolerance.: +/-0.05mm
Operating Temperature range.: -40 deg/+90 deg



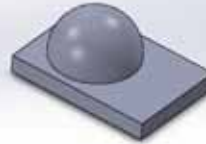
Type : Seoul P4
Angle at 50 % : 18°
Measurement at 1 meter



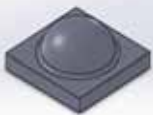
Type : Nichia NS6W183A
Angle to 50 % : 21°
Measurement at 1 meter



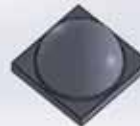
Type : Seoul Z5
Angle to 50 % : 15°
Measurement at 1 meter



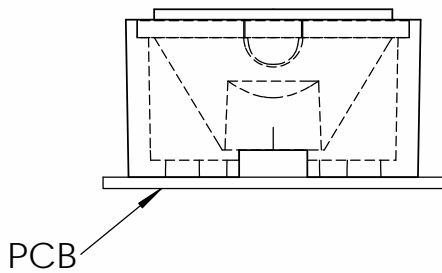
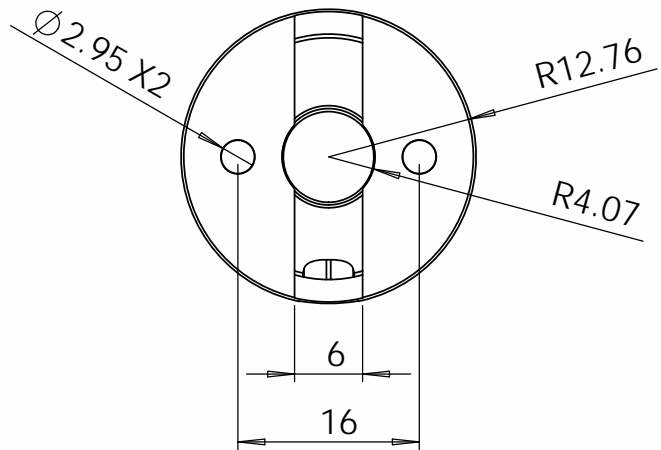
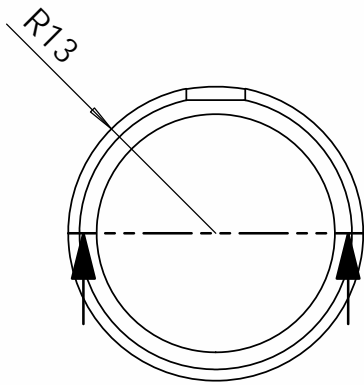
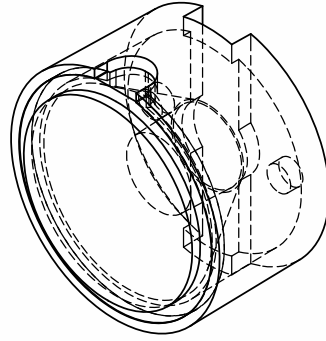
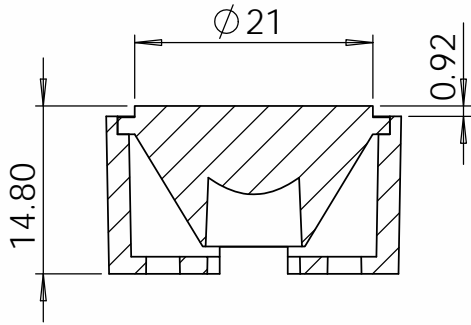
Type : Luxeon LXML-PWN1
Angle to 50 % : 16°
Measurement at 1 meter



Type : Cree XPG
Angle to 50 % : 16°
Measurement at 1 meter



Type : Cree XM-L2
Angle at 50 % : 21°
Measurement at 1 meter



DO NOT SCALE DRAWING	DATE: 2014-01
INNO ELECTRONICS LTD	
TITLE:	
DWG NO.	INO-T002T-H1
SCALE: 1.5:1	PAGE: 2
	A4