



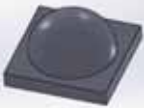
ITEM NO.:	INO-T002XP-HX
Lens Material.:	PMMA
Holder Material.:	PC
Tolerance.:	+/-0.05mm
Operating Temperature range.:	-40 deg/+90 deg



Type : Seoul P4
Angle at 50 % : 21°
Measurement at 1 meter



Type : Osram Luw_W5AM
Angle at 50 % : 22°
Measurement at 1 meter



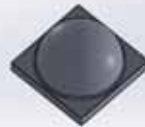
Type : Seoul Z5
Angle to 50 % : 24°
Measurement at 1 meter



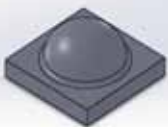
Type : Nichia NS6W183A
Angle to 50 % : 18°
Measurement at 1 meter



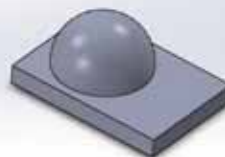
Type : Cree XRE
Angle to 50 % : 21°
Measurement at 1 meter



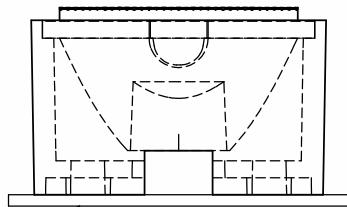
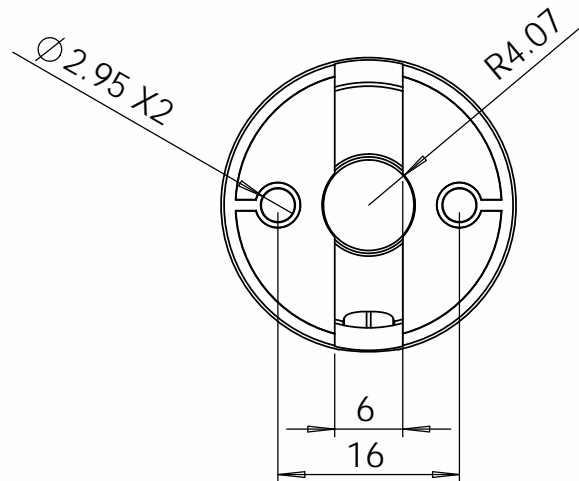
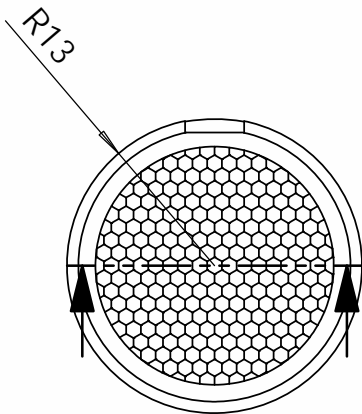
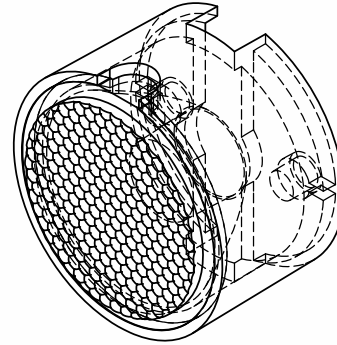
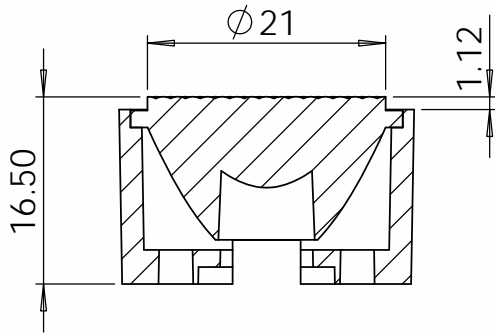
Type : Cree XM-L2
Angle at 50 % : 22°
Measurement at 1 meter



Type : Cree XPG
Angle to 50 % : 23°
Measurement at 1 meter



Type : Luxeon LXML-PWN1
Angle to 50 % : 23°
Measurement at 1 meter



PCB

DO NOT SCALE DRAWING	DATE: 2014-01
INNO ELECTRONICS LTD	
TITLE:	
DWG NO.	INO-T002XP-HX
SCALE: 1.5:1	PAGE: 2
	A4