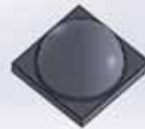




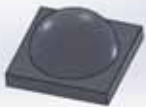
ITEM NO.: INO-T002XT-H1
 Lens Material.: PMMA
 Holder Material .: PC
 Tolerance.: +/-0.05mm
 Operating Temperature range.: -40 deg/+90 deg



Type : Seoul P4
 Angle at 50 % : 20°
 Measurement at 1 meter



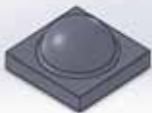
Type : Cree XM-L2
 Angle at 50 % : 19°
 Measurement at 1 meter



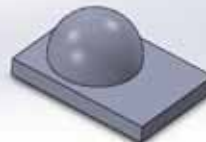
Type : Seoul Z5
 Angle to 50 % : 23°
 Measurement at 1 meter



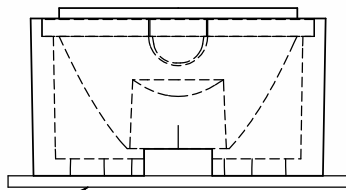
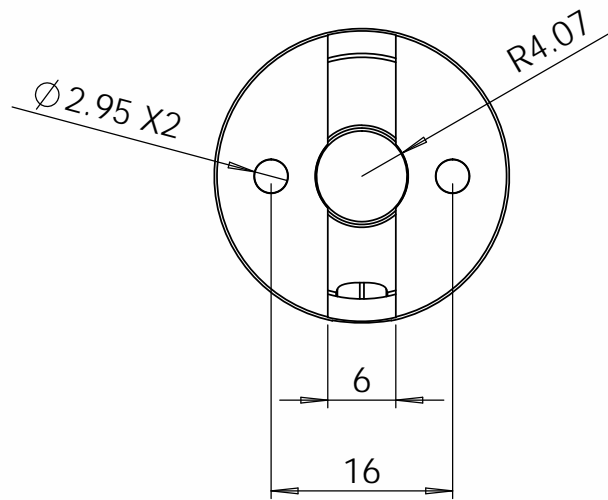
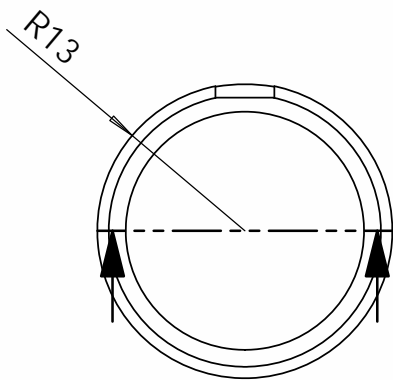
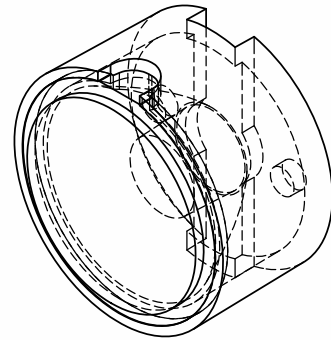
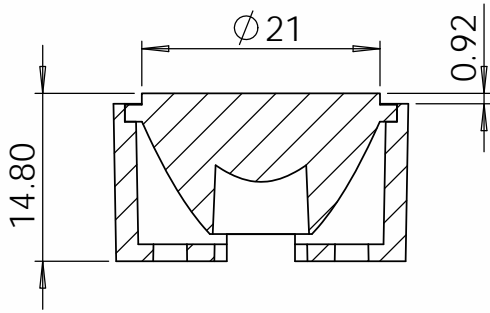
Type : Nichia NS6W183A
 Angle to 50 % : 17°
 Measurement at 1 meter



Type : Cree XPG
 Angle to 50 % : 13°
 Measurement at 1 meter



Type : Luxeon LXML-PWN1
 Angle to 50 % : 13°
 Measurement at 1 meter



PCB

DO NOT SCALE DRAWING		DATE: 2014-01	
INNO ELECTRONICS LTD			
TITLE:			
DWG NO.		INO-T002XT-H1	
SCALE: 1.5:1		PAGE: 2	
		A4	