



ITEM NO.: INO-T004RT
Lens Material.: PMMA
Holder Material.: PC
Tolerance.: +/-0.05mm
Operating Temperature range.: -40 deg/+90 deg



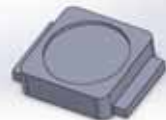
Type : Seoul P4
Angle at 50 % : 18°
Measurement at 1 meter



Type : Osram Luw_W5AM
Angle at 50 % : 13°
Measurement at 1 meter



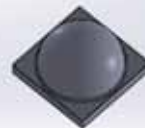
Type : Seoul Z5
Angle to 50 % : 12°
Measurement at 1 meter



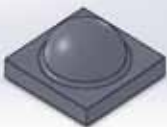
Type : Nichia NS6W183A
Angle to 50 % : 16°
Measurement at 1 meter



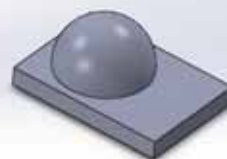
Type : Cree XRE
Angle to 50 % : 12°
Measurement at 1 meter



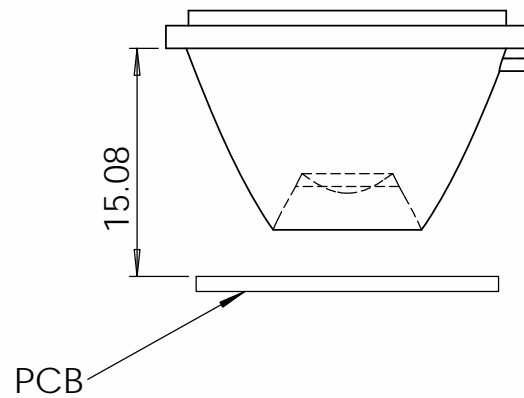
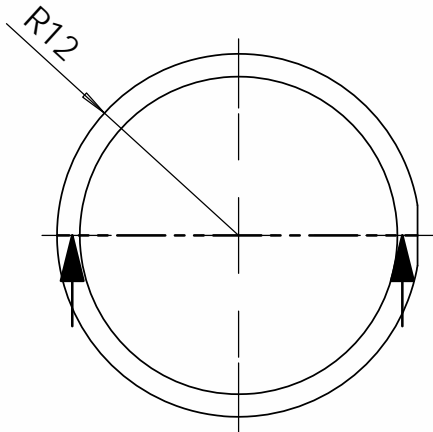
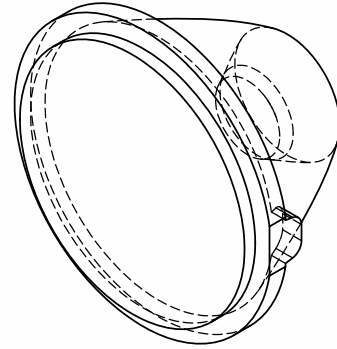
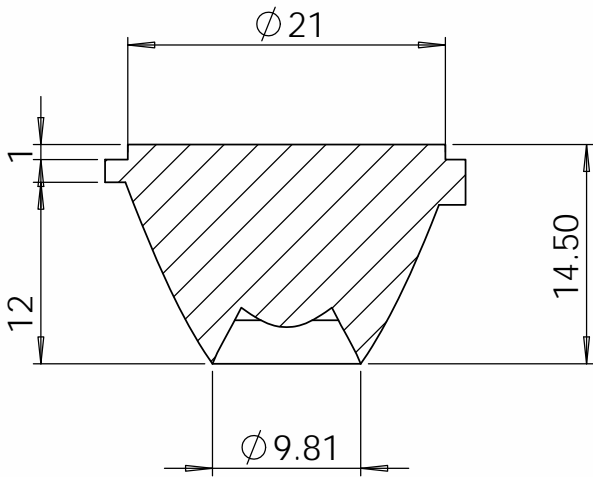
Type : Cree XM-L2
Angle at 50 % : 16°
Measurement at 1 meter



Type : Cree XPG
Angle to 50 % : 12°
Measurement at 1 meter



Type : Luxeon LXML-PWN1
Angle to 50 % : 13°
Measurement at 1 meter



DO NOT SCALE DRAWING	REVISION
INNO ELECTRONICS LTD	
TITLE:	
DWG NO.	INO-T004RT
SCALE: 2:1	PAGE: 2
	A4